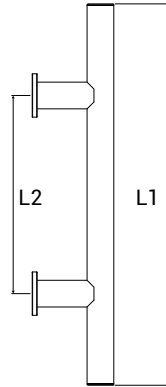


INSTALLATION INSTRUCTIONS

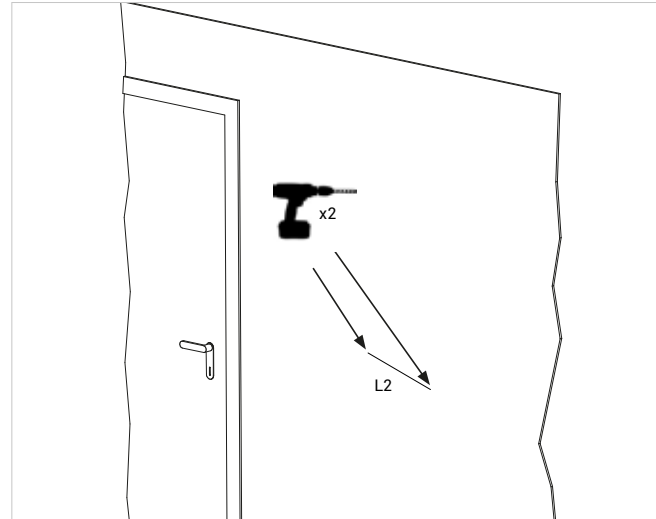
GRAB BARS

1. Use the table to correctly identify the dimensions of your grab bar.

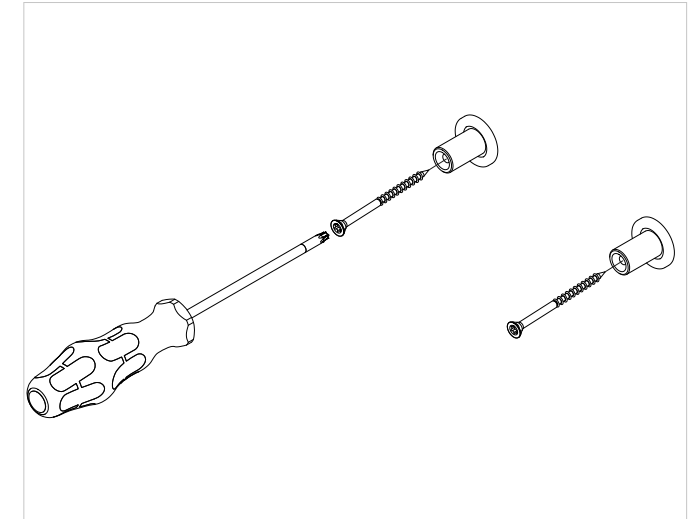
Prod. no.	L1	L2
3780		
3782	458 mm	238 mm
3784	18"	9.37"
3786		
3790		
3792	610 mm	390 mm
3794	24"	15.35"
3796		
3800		
3802	915 mm	695 mm
3804	36"	27.36"
3806		
3810		
3812	1067 mm	847 mm
3814	42"	33.35"
3816		



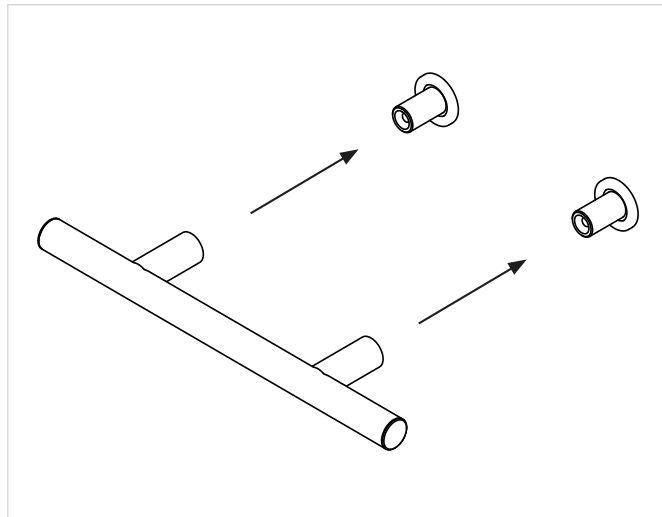
2. Drill holes for mounting.



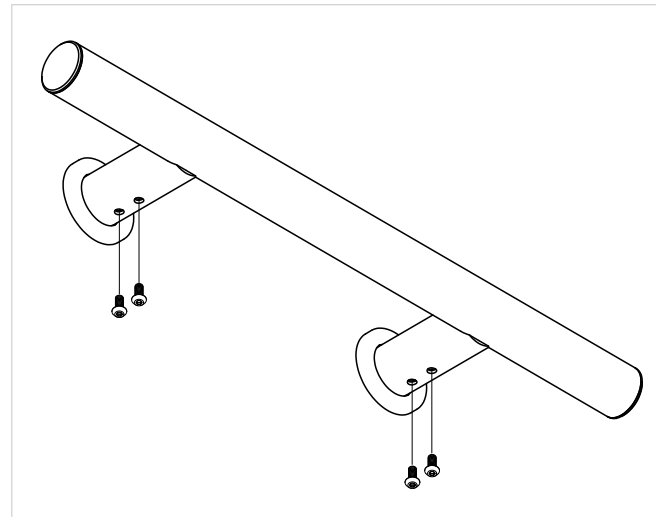
3. The mounting brackets are fastened to the wall, using screws and dowels suitable for the installation environment.



4. Mount the grab bar on the mounting bracket.



5. Fasten the grab bar to the mounting bracket using the four M4X8 screws.



6. The grab bar is now ready for use.

